

LALIZAS Foam Folding Lifejacket Compact, SOLAS/MED

Driven by regulation changes for lifejacket accessibility on cruise ships, and customer demand for reduced bulk and improved storage options, LALIZAS has designed the Compact lifejacket to best service these needs.



Foam Folding Lifejacket Compact provides improved storage options due to its significantly reduced volume and easy-stack profile.

- LALIZAS SOLAS/MED Approved Retro-Reflective Tape
- Strap (40mm)
- Crotch Strap (25mm)
- Buddy Line
- Lifting Loop
- Whistle secured by Cord



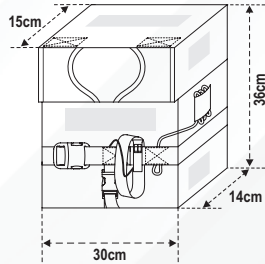
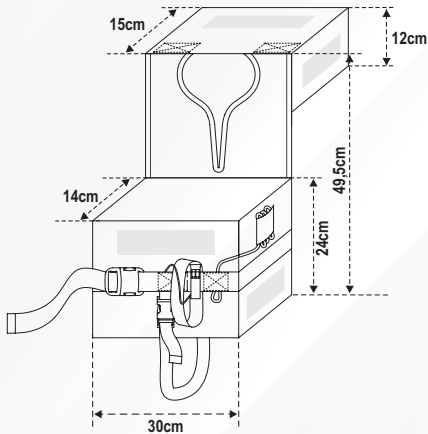
SOLAS / MED APPROVED



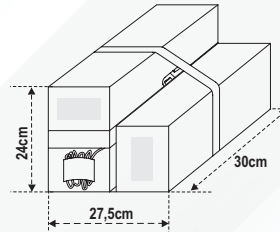
Code	72214	722141	72215	722151
Model	Adult		Child	
Colour	Orange	Yellow	Orange	Yellow
Buoyancy	146 Nt		88 Nt	
Body Weight	over 43 up to 140 kg		over 15 up to 43 kg	
Average Turning Time	1,8 sec		1,5 sec	
Retro-Reflective Tape	400 cm ²		400 cm ²	
Lifting Loop	YES		YES	
Buddy Line	YES		YES	
Crotch Strap	YES		YES	
Whistle	YES		YES	
Storage Temp	-30° C up to +65° C		-30° C up to +65° C	

The series of Compact Folding Lifejackets SOLAS fully complies with the new regulations [IMO Resolutions (MSC.201(81), MSC.216(82), L.S.A. Code as amended by 207(81), 218(82); and MSC 81(70), MSC.200(80), MSC. 226(82), MSC. 323(89), MSC. 368(93) & MSC. 378(93)], which are mandatory for all lifejackets used on board EU flagged vessels.

**LALIZAS Foam Folding Lifejacket Compact, SOLAS/MED
Multiple Folding Options**



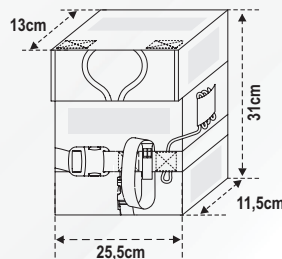
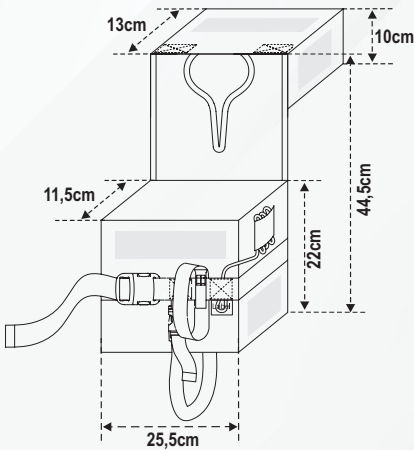
1



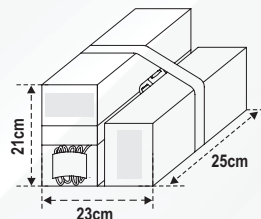
2



Adult



1



2



Child

How to wear

