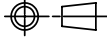
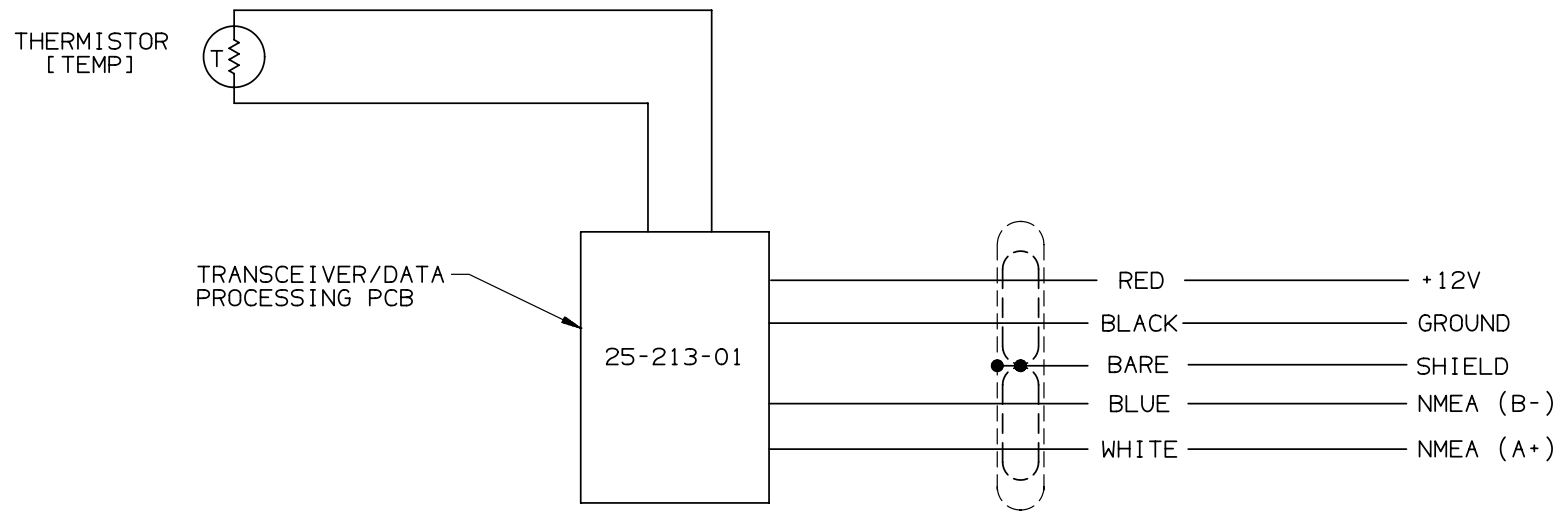
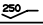




THIRD ANGLE PROJECTION		REVISIONS			
	REV	DESCRIPTION	ECO NO	DATE	CHG/CHK
	01	RELEASE TO PRODUCTION	05E0563	08/24/05	SFH/ATB



NOTES:

1. CUT OFF BARE WIRE AT PCB END.

UNLESS OTHERWISE SPECIFIED DIMENSIONS ARE IN INCHES TOLERANCES ON 2 PL DECIMALS ±0.02 3 PL DECIMALS ±0.005 ANGLES ± 1/2° FRACTIONS ± 1/32 SURFACE FINISH 	SIGNATURE	DATE	 AIRMAR TECHNOLOGY CORPORATION 35 HEADONBROOK DR MILFORD NH 03055-4613 USA TEL: 603-673-9570 FAX: 603-673-4624
	DRAWN J. CHAMBERS	01/04/00	
	CHECKED J. JEFFERS	06/19/01	
MATERIAL	AIRMAR CABLE: 06-189-01 & 06-189-02 PCBA: 25-213-01		TITLE WIRING, SMART, TEMP, C189 NC
SIZE  SCALE: NONE NUMBER SHEET 1 OF 1		91-447 REV 01	